

Inquiry form – drive wheels with keyway

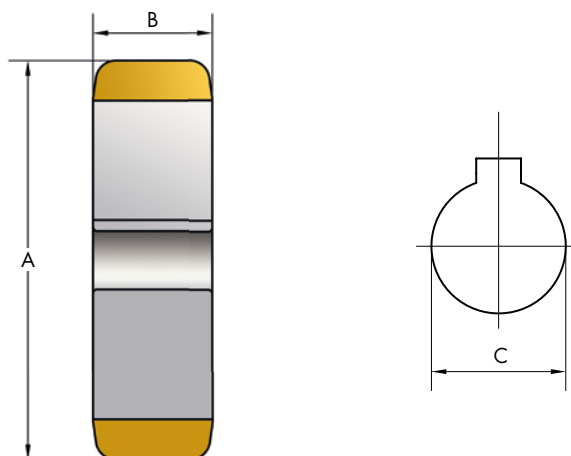
Please email to: rv@raedervogel.de

or fax: +49 40 75499-175



Please send me an offer for:

Drive wheel _____ piece/s



Dimensions/Wheel material *Please fill out if known!

Wheel material _____

*Wheel diameter (A) _____ (mm) *Wheel width (B) _____ (mm)

*Bore hole diameter (C) _____ (mm) Width of keyway DIN 6885

*Load capacity _____ (kg) Original spare part No. _____

Required date _____

Conditions /other _____
(speed, surface conditions, temperature etc.) _____

Customer number _____
(if present)

*Company name _____

*Last name _____ First name _____

*Address _____ *House number _____

*Postal code, city _____ *Country _____

*Phone No. _____ *Fax _____

*Email _____ Homepage _____

If available, please add a drawing or sketch to the inquiry.

