

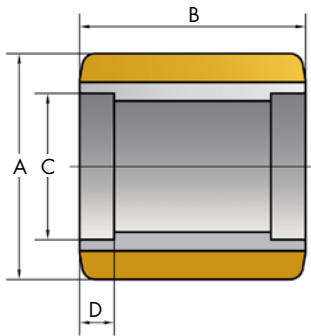
## Inquiry form – pallet rollers

Please email to: [rv@raedervogel.de](mailto:rv@raedervogel.de)

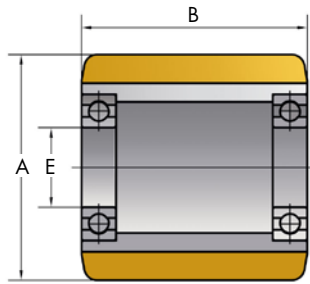
or fax: +49 40 75499-175

Please send me an offer for:

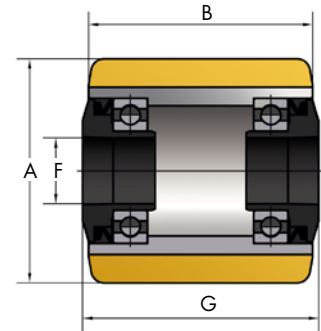
Pallet rollers \_\_\_\_\_ piece/s



Ball bearing seats



Ball bearings



Ball bearings and seals

**Dimensions/Wheel material** \*Please fill out if known!

Ball bearing seats

Ball bearings

Ball bearings and seals

Wheel material \_\_\_\_\_

\*Roller diameter (A) \_\_\_\_\_ (mm) \*Roller width (B) \_\_\_\_\_ (mm)

\*Bearing seat diameter (C) \_\_\_\_\_ (mm) \*Bearing seat depth (D) \_\_\_\_\_ (mm)

\*Bearing inner diameter (E) \_\_\_\_\_ (mm) \*Axle diameter (F) \_\_\_\_\_ (mm)

Bearing Type \_\_\_\_\_ (mm) Load capacity \_\_\_\_\_ (kg)

Original spare part No. \_\_\_\_\_

Required date \_\_\_\_\_

Conditions /other \_\_\_\_\_  
(speed, surface conditions, temperature etc.) \_\_\_\_\_

Customer number \_\_\_\_\_  
(if present)

\*Company name \_\_\_\_\_

\*Last name \_\_\_\_\_ First name \_\_\_\_\_

\*Address \_\_\_\_\_ \*House number \_\_\_\_\_

\*Postal code, city \_\_\_\_\_ \*Country \_\_\_\_\_

\*Phone No. \_\_\_\_\_ \*Fax \_\_\_\_\_

\*Email \_\_\_\_\_ Homepage \_\_\_\_\_

**If available, please add a drawing or sketch to the inquiry.**