

Inquiry form – swivel and fixed castors

Please email to: rv@raedervogel.de

or fax: +49 40 75499-175

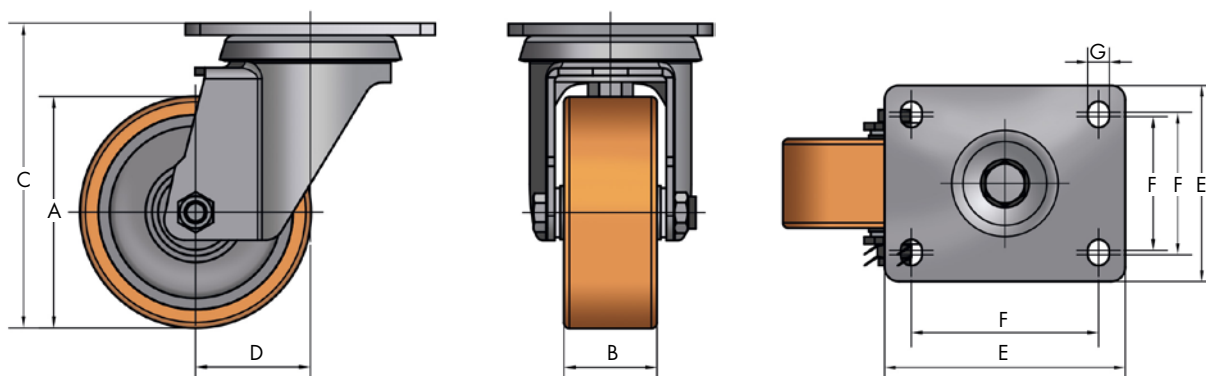
Please send me an offer for:

Swivel castor _____ piece/s

Fixed castors _____ piece/s

Twin wheel swivel castors _____ piece/s

Twin wheel fixed castors _____ piece/s



Dimensions/Wheel material *Please fill out if known!

Wheel material _____

*Wheel diameter (A) _____ (mm) *Wheel width (B) _____ (mm)

*Type of bearing: Plain bearing Roller bearing Ball bearing

*Housing material: Steel Sheet metal Stainless

Brake system (for swivel castors only): ALLSTOP Directional lock Wheel brake

*Overall height (C) _____ (mm) Offset swivel castor (D) _____ (mm)

*Top plate size (length x width) (E) _____ (mm) *Bolt hole spacing (length x width) (F) _____ (mm)

Bolt hole diameter (G) _____ (mm) *Load capacity _____ (kg)

Required date _____

Conditions /other _____
(speed, surface conditions, temperature etc.) _____

Customer number _____
(if present)

*Company name _____

*Last name _____ First name _____

*Address _____ *House number _____

*Postal code, city _____ *Country _____

*Phone No. _____ *Fax _____

*Email _____ Homepage _____

If available, please add a drawing or sketch to the inquiry.